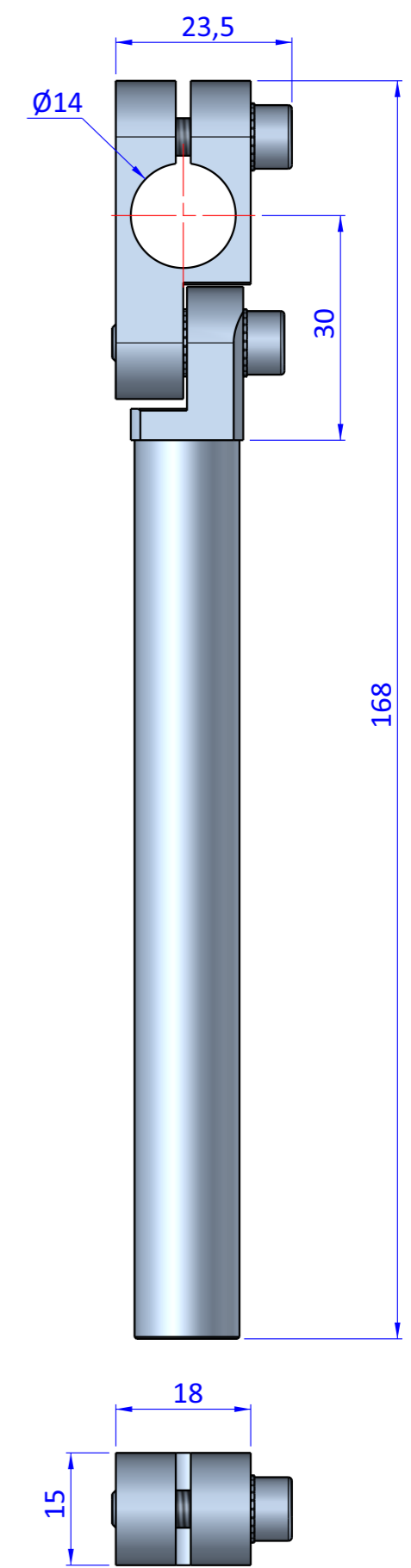
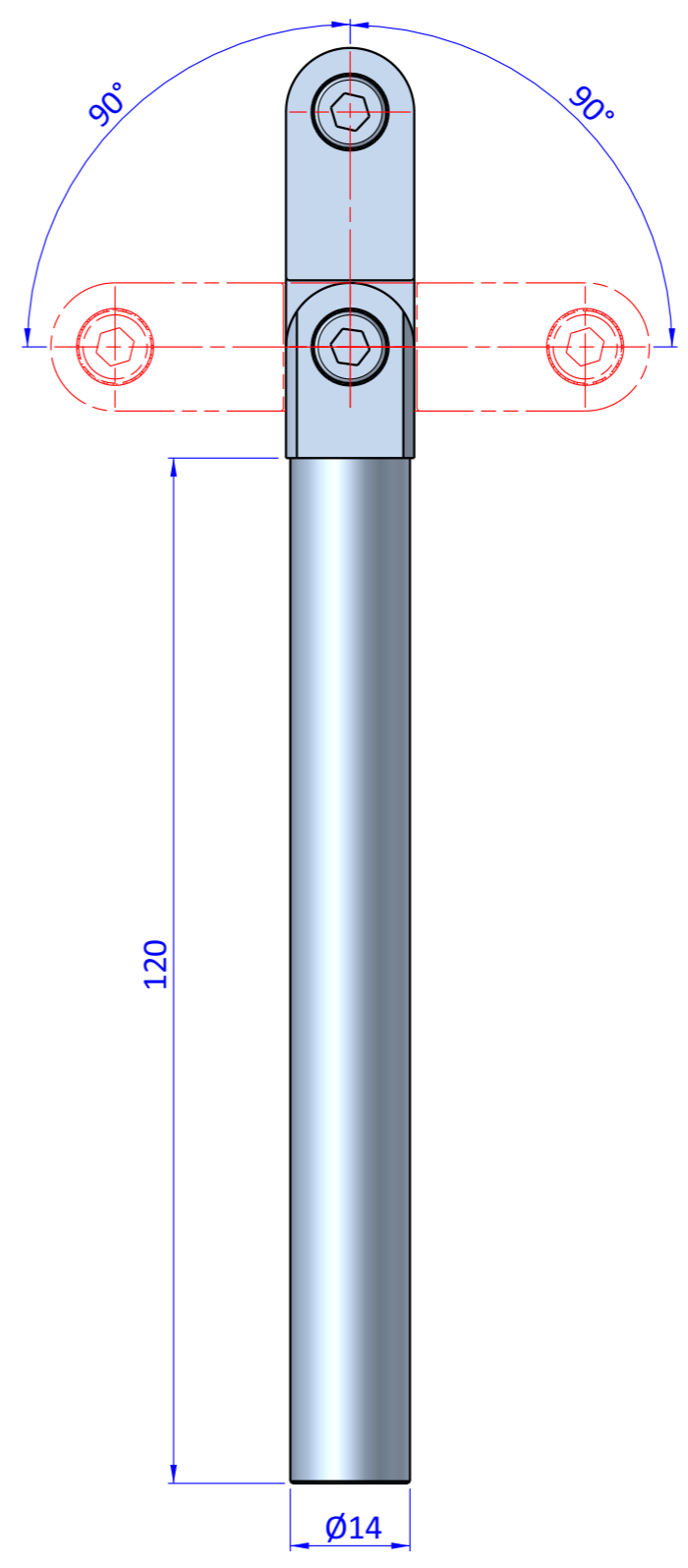
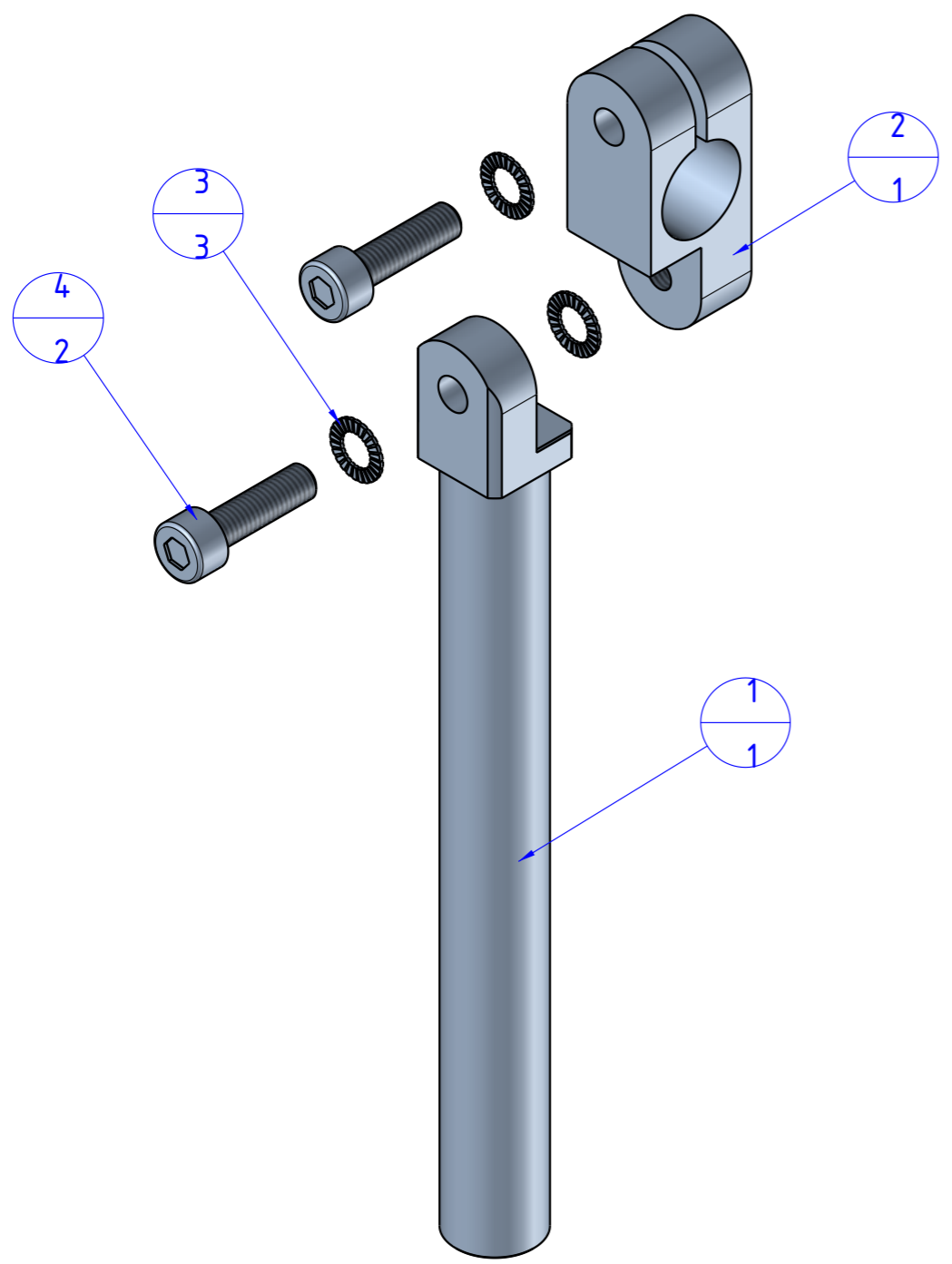


THE PROPERTY OF THE DRAWING IS ESTABLISHED BY LAW. IT IS FORBIDDEN TO PRODUCE OR SHOW IT TO THIRD PART. WITHOUT A WRITTEN AGREEMENT.

Item	Name	Q.ty
1	GLA.14.1.120	1
2	GLA.14.2	1
3	R.5.SCH	3
4	V.TCE5x18	2



Format A3
UNI 936-76

FPS FPSERVICES AUTOMATION		DESIGNED FROM FPS Automation		REVIEW A	
GENERAL TOLERANCE UNI - ISO 2768 CLASSE f		DATE 24/08/2020		WEIGHT 0,046kg	
DESCRIPTION CA.GLA.1414.120		CODE CA.GLA.1414.120			